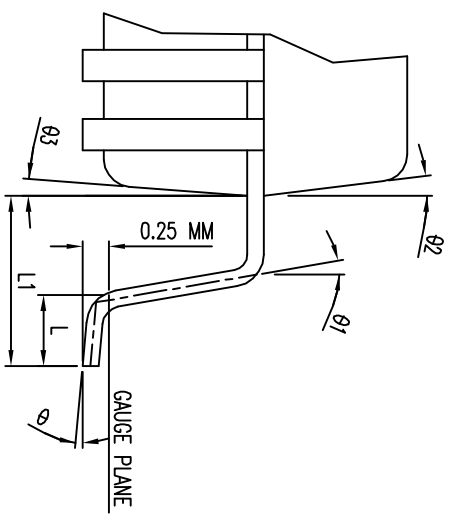
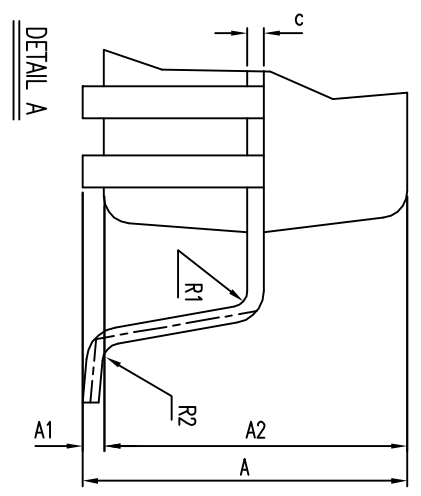
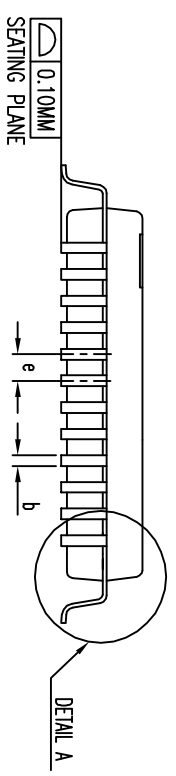
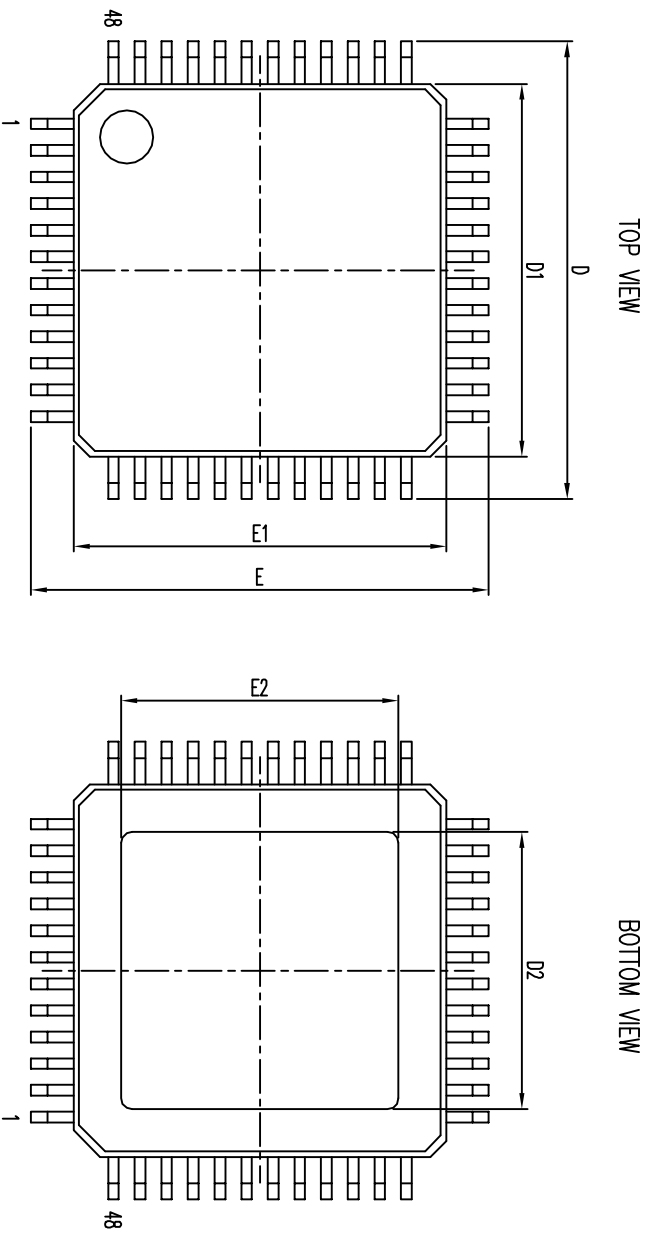


REV.	DESCRIPTION	BY	DATE
ORIG.	DRAWING ISSUE	SANDY CHEN	05.05.2015
A	MODIFY D2 MIN. & E2 MIN.	SANDY CHEN	11.02.2017



SYMBOL	DIMENSION IN MM			DIMENSION IN INCH		
	MIN.	NOM.	MAX.	MIN.	NOM.	MAX.
A			1.60			0.063
A1	0.05		0.15	0.002		0.006
A2	1.35	1.40	1.45	0.053	0.055	0.057
b	0.17	0.22	0.27	0.007	0.009	0.011
c	0.09		0.20	0.004		0.008
e	0.50 BASIC			0.020 BASIC		
D	9.00 BASIC			0.354 BASIC		
D1	7.00 BASIC			0.276 BASIC		
E	9.00 BASIC			0.354 BASIC		
E1	7.00 BASIC			0.276 BASIC		
D2	4.20		5.21	0.165		0.205
E2	4.20		5.21	0.165		0.205
L	0.45	0.60	0.75	0.018	0.024	0.030
L1	1.00 REF.			0.039 REF.		
R1	0.08			0.003		
R2	0.08		0.20	0.003		0.008
theta	0°	3.5°	7°	0°	3.5°	7°
theta 1	0°			0°		
theta 2	11°	12°	13°	11°	12°	13°
theta 3	11°	12°	13°	11°	12°	13°

*NOTES : DIMENSIONS " D1 " AND " E1 " DO NOT INCLUDE MOLD PROTRUSION. ALLOWABLE PROTRUSION IS 0.25 mm PER SIDE.
 " D1 " AND " E1 " ARE MAXIMUM PLASTIC BODY SIZE DIMENSIONS INCLUDING MOLD MISMATCH.

Chant World Technology Inc.

DESIGNED	SANDY CHEN 05.05.2015	UNIT		QTY	
CHECKED	SANDY CHEN 11.02.2017	FILE NAME :	PHF048P(E-PAD)		A3
APPROVED	SANDY CHEN 11.02.2017	DWG. NO.:	CW-PH-004B		

TITLE LQFP 48L PACKAGE OUTLINE
 BODY SIZE : 7 X 7 MM (EXPOSED PAD)
 XX XXXX ±0.005 ANGLAR ±
 XX XXXX ±0.05 ROUGH-
 XX XXXX ±0.1 NESS V
 XX XXXX ±0.2 SCALE